

## SP539-882 SP539-883 SP539-887 SP539-888

Natural frequency : (1)  
10 to 16 Hz

### DESCRIPTION

All metal mount comprising a stack of between one and three woven steel cushions giving a variation in natural frequency depending upon the number of cushions. This make higher levels of isolation possible.

The stainless steel cushions in conical shape are capable of carrying radial loads.

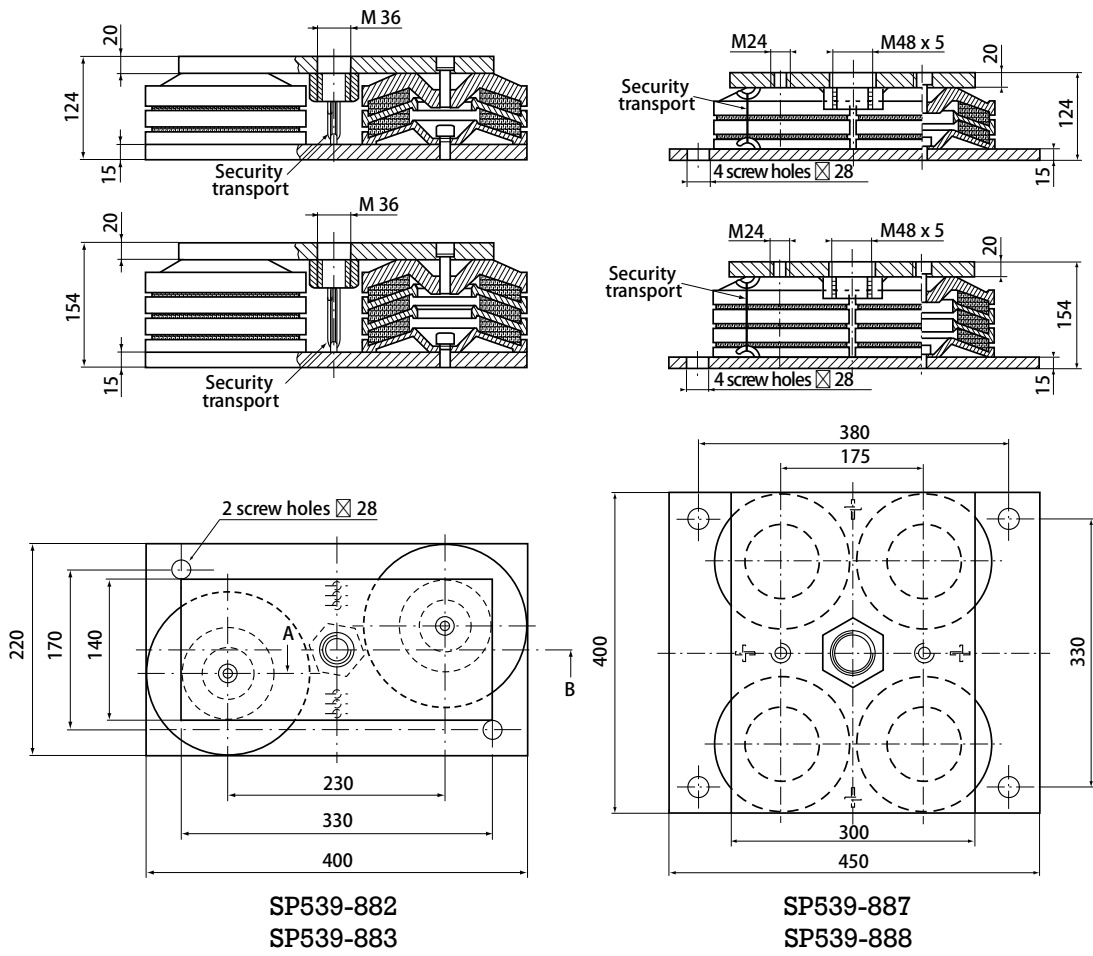
This mount ensures good stability of the suspended equipment.

### APPLICATIONS

- Metal cutting or metal forming machines (presses, punches, ...).
- Heavy rotating machines.n Machines tournantes fortes charges.

(1) Natural frequencies with max/min loads, see : OPERATING CHARACTERISTICS.

# DIMENSIONS



# OPERATING CHARACTERISTICS

Reference	Height (mm)	Load range (daN)	Natural frequency (Hz)	Weight of mounting (Kg)
SP539-882 SP539-883	124 154	500 to 14 000	12 to 16 10 to 13	37 41
SP539-887 SP539-888	124 154	1 000 to 28 000	12 to 16 10 to 13	70 82